

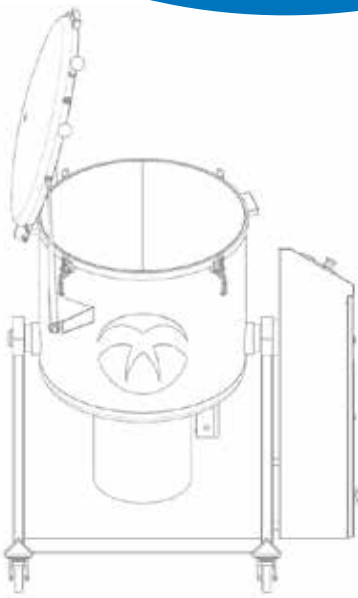
CAMIX VI04

Reliable and hygienic

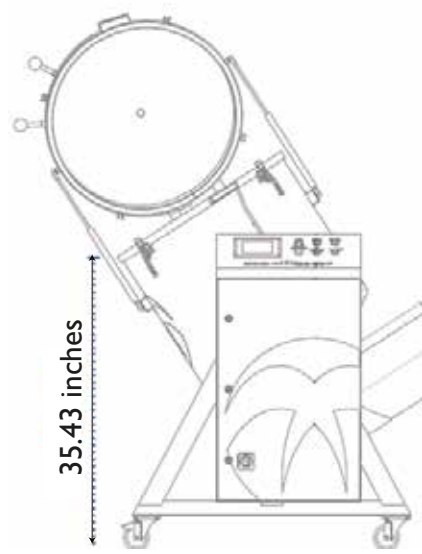
Scraper
replaceable

Touch screen
for manual and
automatic control

Made of
polished
food grade and
stainless steel



47.75 inches



35.43 inches

42.32 inches



Low loading height
for ease of
operation

Specially
engineered
blade

igene

www.igeneusa.com

+1 916 412 6676



Camix Mixer V104

VESSEL TILTING			
Angle	Continuously variable, 2 to 40 rpm		
Tilt speed	1.1kW spur gearbox		
Tilt power	Extended mixing blade fitted UHMWPE full scraper - Tumble blade		
BLADE DRIVE			
Mix speed	Continuously adjustable vertical to 30 degrees below horizontal		
Mix power	Continuously variable but shipped as horizontal to vertical in 10s		
Capacity	0.37kw double worm reduction box		
CAPACITY LITRES			
Capacity	150	300	600
Mix power kw	1.1	1.1	2.2
Mix speed rpm	2-25	2-25	2-25
Lift power kw	0.37	0.37	0.75
Lift speed rpm	0.2-2	0.2-2	0.2-2
ELECTRICAL			
Supply	240V AC, Single Phase	Current	16 A
MACHINE CAPACITY			
Vessel Size	175 l	350 l	700 l
Swept Volume	150 l	300 l	600 l
Machine Weight	250 kg	275 kg	300 kg
KEY FEATURES			
<ul style="list-style-type: none"> The machine can be networked into production planning and monitoring systems Blade speed can be set to suit different products 		<ul style="list-style-type: none"> The mixer vessel has powered tilting operation which can be adjusted for particular product requirements Preset recipes can be input to program tumbler operation as required. 	

Within our service

- Complete service contract available, typically 6 months full service, maintained by our experienced Service Technicians
- Emergency Call out Facility available
- Purchase spares from our Customer Service Team with ease. Most are shipped same day
- Training packages available to suit your business, carried out at both PDI stage and in situ
- 6 Month Warranty



www.igeneusa.com +1 916 412 6676