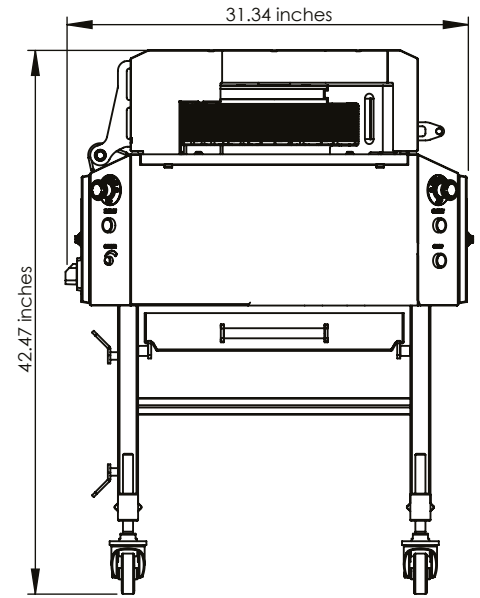


Rotary Fruit Slicer V100

Innovate, Accurate, Fast Slicer for food preparation



Hygienic construction

Adjustable slice thickness

Quick change blade system

Adjustable speed, up to 60 units per minute

Energy efficient



236.22-708.66 inches



www.igeneusa.com

+1 916 412 6676

ne

Rotary Fruit Slicer VI00



The Rotary Fruit Slicer doesn't just slice fruit to perfection, it can slice a whole range of produce from delicate tomatoes to rigid onions quickly and consistently.

DIMENSIONS

Width	31.34 inches	Depth	26.49 inches
Height	42.47 inches		

OUTPUT

Units	60 per minute		
-------	---------------	--	--

ELECTRICAL

Supply	220V AC	Control voltage	24 Volts
Frequency	50 Hz Single Phase		

FOOD TYPES

Most fresh produce including Tomatoes, onions, beetroot, cucumber and eggs.

IP RATING

Electrical enclosures IP 65

KEY FEATURES

- Fully adjustable speed slicing up to 60 units a minute
- Hygienic design
- Energy efficient
- Slicing 0.16 inches to 0.40 inches in thickness perfectly.
- Handles product from 1.97 inches up to 2.76 inches in diameter
- Safe and easy to operate
- Single person operation
- Simple strip down and reassembly features allow for quick and thorough cleaning.
- Twin blade feature for intense Plum Tomato slicing up to 3.55 inches in length
- Quick release blade mechanism
- Compact design

• Complete service contract available, typically 6 months full service, maintained by our experienced Service Technicians

• Emergency Call out Facility available

• Purchase spares from our Customer Service Team with ease. Most are shipped same day

• Training packages available to suit your business, carried out at both PDI stage and in situ

• 6 Month Warranty

Within our service



www.igeneusa.com +1 916 412 6676