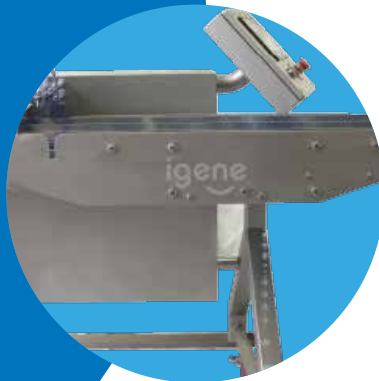


Collator Butterer VI70

High speed, accurate
buttering



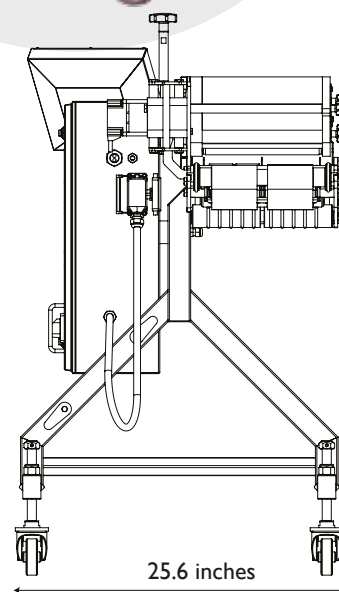
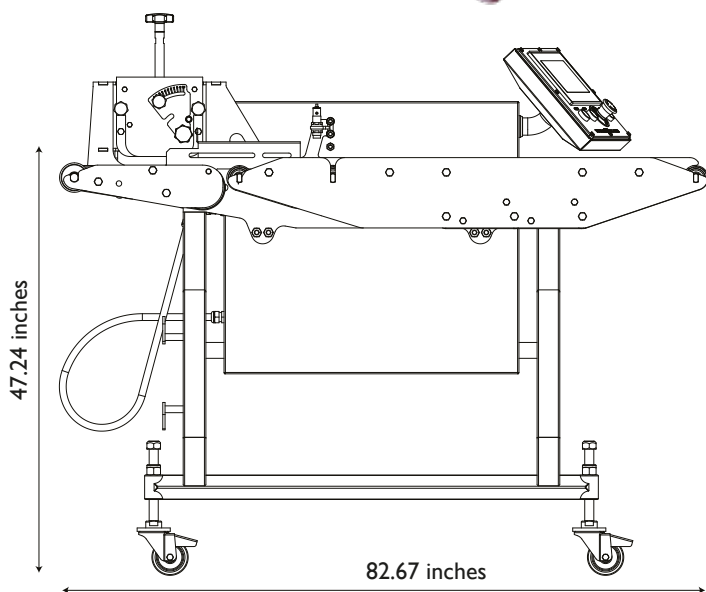
Constantly
updated real-time
data display

Removable, heated
butter boxes



Allows total
control over
line speed

Stand-alone or
synchronized
integrated
operation





Ensuring the perfect spread

I-Gene's Collator Butterer allows the timing of any production run to be fully controlled. The integrated butterers mean that buttered bread is fed at uniform intervals on to the start of the production line.

This system can be fully controlled and monitored locally, or from anywhere on your PC network using our production monitoring system. Hygienic design allows tool free, efficient strip down and deep cleaning. Easy to use touch screen to adjust the bread pitch and output speed. Suitable for bread slices and rolls.



Within our service

- Complete service contract available, typically 6 months full service, maintained by our experienced Service Technicians
- Emergency Call out Facility available
- Purchase spares from our Customer Service Team with ease. Most are shipped same day
- Training packages available to suit your business, carried out at both PDI stage and in situ
- 6 Month Warranty

DIMENSIONS			
Width	25.6 inches	Length	82.67 inches
Belt Height	35.43 inches	Overall Height	47.24 inches
Speed	60 slices/min per lane		

IP RATING			
Electrical enclosures IP65			

ELECTRICAL			
Supply	220V AC	Current	6 A
Frequency	50-60 Hz Single Phase	Voltage	24 volts

HEATED HOPPER			
Supply	24V DC	Current	4 A
Power	100W		

KEY FEATURES	
• Constantly updated real-time data display	• High speed 2,3 or 4 slice modes
• Allows total control over line speed	• Easily dismantled - no special tools required
• Multi-function programmes	• Monitoring/planning system enabling: down load of line production speed, recipe data and batch quality and upload of production history and downtime analysis
• Removable, heated butter boxes	• Can be networked onto production
• Stand-alone or synchronized/integrated	



www.igeneusa.com +1 916 412 6676