

Hygienic Pasta Depositor

With twin feed hopper.

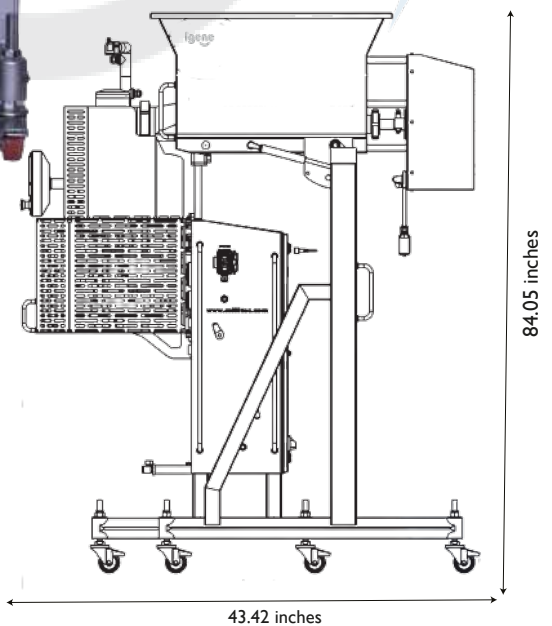
60 operations
per minute

Energy saving
electric actuators

Handles a
variety of wet
produce including
pasta salads, sauces,
peas, rice and
noodles



Rice and noodles
Dressed Pasta using the majority
of shapes from delicate to robust
- Penne, Fusilli, Stortini,
Conchiglie, Rigatoni, Macaroni,
Farfalle, Orzo
Pasta and Tomato Sauce recipes
eg Tomato and Cheese Pasta,
Chicken Tomato Basil Pasta,
Pasta and Cream/Crème Fraîche
Sauce recipes eg Southern Fried
Chicken vPasta
Pasta and Cheese Sauce recipes
eg Tuna Feta





Hygienic Pasta Depositor



The all new I-Genie Hygienic Pasta Depositor (HPD), with a dual head, servo driven system can deposit set amounts of even the most delicate pasta salads, sauces, creams and other wet produce. Hygienically depositing up to 60 pots per minute, selected from up to 16 pre-programmed recipes. Using electric actuators and limited pneumatics, the HPD can achieve impressive energy savings whilst simultaneously reducing giveaway, therefore making it an efficient and cost effective depositing solution.

DIMENSIONS

Width	43.42 inches	Depth	68.78 inches
Height	84.05 inches	Working Height	35.43 inches +/- 1.97 inch

OUTPUT

60 operations per minute

ELECTRICAL

Supply	220 -240 V AC	Current	12A
Frequency	50 Hz Single Phase	Protection rating	IP67 Sealed

PNEUMATICS

Bar Pressure	58 - 87 psi	Connection	8 mm Push Fit
Consumption	8 cfm		

KEY FEATURES

- Hygienic design
- Energy efficient
- Super accurate servo operation
- Full recipe handling
- Holds up to 16 recipes
- 60 operations per minute sheeting
- Touch screen product change over
- Rapid setup times
- Dipping funnels
- Energy saving electric actuators
- Handles 50g to 400g
- High accuracy of deposit 1st standard deviation of 4%

• Complete service contract available, typically 6 months full service, maintained by our experienced Service Technicians

• Emergency Call out Facility available

• Purchase spares from our Customer Service Team with ease. Most are shipped same day

• Training packages available to suit your business, carried out at both PDI stage and in situ

• 6 Month Warranty

Within our service



www.igeneusa.com +1 916 412 6676