

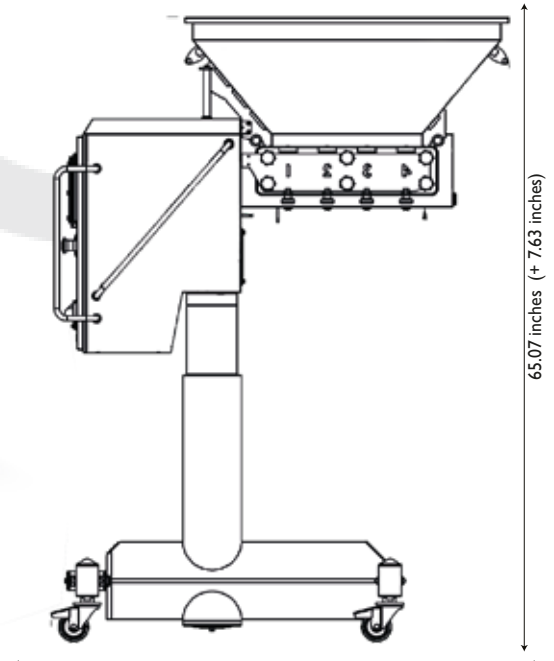
# Multi- head Sauce Depositor

Super accurate  
servo operation -  
upto 0.1g accuracy

Hygienic  
construction

Servo  
height adjustment

Energy saving  
electric actuators



47.63 inches

65.07 inches (+ 7.63 inches)



# MULTI-HEAD is efficient & cost effective

Up to 400  
packs/pots a minute

The latest Multihead on the market, our pioneering all electric, super hygienic MSD allows quick application of sauces to up to 4 lanes, helping further improve your production efficiencies.



DIMENSIONS			
Width	26.49 inches	Depth	47.63 inches
Height	65.07 inches	Working Height	35.43 +/-1.9 inches

ELECTRICAL			
Supply	220 V AC	Current	6A
Frequency	50 Hz Single Phase	Protection rating	IP67 sealed

OUTPUT	
400 packs/ pots per minute - Four lane 100 cycles per minute	

FOOD TYPES	
Non particulate Sauces and Liquids - Bechamel sauce, Tomato sauces, Batter mixes	

KEY FEATURES	
<ul style="list-style-type: none"> <li>• 0.1g accuracy</li> <li>• Hygienic design</li> <li>• Energy efficient</li> <li>• Super accurate servo operation</li> <li>• Full recipe handling</li> <li>• Touch screen product changeover</li> <li>• Rapid setup times</li> <li>• Super smooth product path</li> <li>• 1g to 10kg</li> </ul>	<ul style="list-style-type: none"> <li>• Inbuilt photocells</li> <li>• Rapid change depositor heads</li> <li>• Rapid strip down and cleaning</li> <li>• Minimal change parts</li> <li>• Servo height adjustment</li> <li>• Touch screen controlled sheeting</li> <li>• Typical speed 100 operations per minute per head ie. 400 per minute</li> <li>• Accuracy of deposit first standard deviation of 0.2%</li> </ul>

• Complete service contract available, typically 6 months full service, maintained by our experienced Service Technicians

• Emergency Call out Facility available

• Purchase spares from our Customer Service Team with ease. Most are shipped same day

• Training packages available to suit your business, carried out at both PDI stage and in situ

• 6 Month Warranty

Within our service



www.igeneusa.com +1 916 412 6676