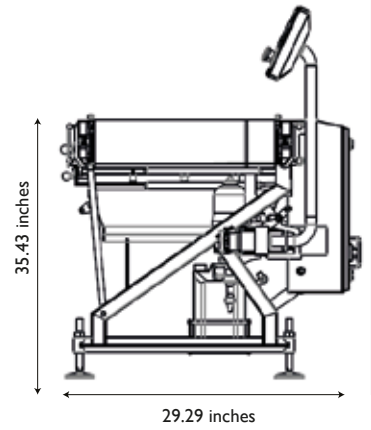


Sandwich Production Conveyors Unit 744W VI30

Hygienic, HMI Controls, Assembly Conveyor



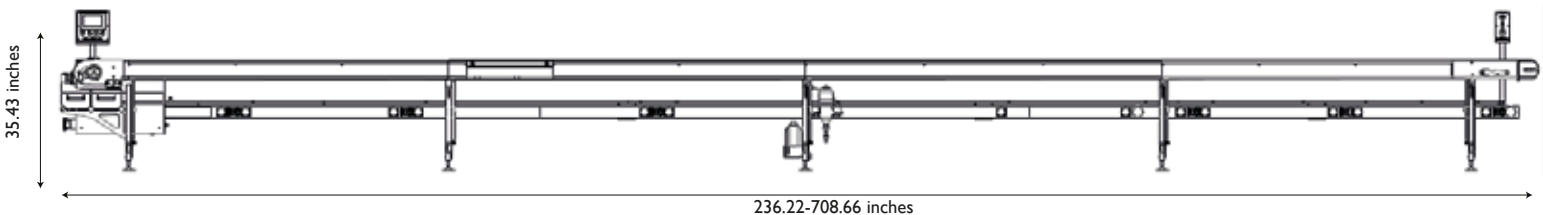
Designed with trouble-free cleaning

Simplify the processing of food products

Controlled via a PLC and touch screen

Can be produced in various lengths

Inbuilt product counting and production control sensors





Sandwich Production Conveyor Unit 744W VI30

SPCU 744 VI30 is an ergonomically designed conveyor production line system, created to simplify the processing of food products. The SPC Conveyor can be produced in various lengths in order to suit the individual needs of the customers. Also, the docking station is built-in for i-Genes CIPU Clean in Place Unit.

DIMENSIONS

Belt Width	24.80 inches	Overall Length	236.22 -708.66 inches
Belt Height	35.43 inches	Overall Width	29.29 inches

IP RATING

Electrical enclosures IP 65

ELECTRICAL

Supply	415 VAC, 3Phase	Current	16 A
Frequency	50-60 Hz Single Phase	Voltage	24 volts

PNEUMATICS

Bar Pressure	58 - 87 psi		
--------------	-------------	--	--

PRODUCTION PLANNING/MONITORING

In built gateway to i-Genes INFORM software. Touch screen control of production/recipe data

• Complete service contract available, typically 6 months full service, maintained by our experienced Service Technicians

• Emergency Call out Facility available

• Purchase spares from our Customer Service Team with ease. Most are shipped same day

• Training packages available to suit your business, carried out at both PDI stage and in situ

• 6 Month Warranty



www.igeneusa.com +1 916 412 6676